

PROJECT: \_\_\_\_\_

TYPE: \_\_\_\_\_

QUANTITY: \_\_\_\_\_



## PN: 680FLC

<b>APPLICATION</b>	<ul style="list-style-type: none"> <li>• CEILING MOUNT</li> <li>• INDOOR RATED</li> </ul>
<b>DIMENSION</b>	<ul style="list-style-type: none"> <li>• 24", 48", 72", 96", 120", 144" (61CM, 122CM, 183CM, 244CM, 305CM, 366CM)</li> <li>• PROFILE: 2.756"W X 3.450"H (7CM X 8.8CM)</li> </ul>
<b>ILLUMINATION</b>	<ul style="list-style-type: none"> <li>• DIRECT</li> <li>• LED 90CRI</li> <li>• 2,799 - 17,112 LUMENS</li> </ul>
<b>ELECTRICAL</b>	<ul style="list-style-type: none"> <li>• 120, 277V AND UNI (120 - 277V)</li> <li>• 10kA SURGE SUPPRESSION STANDARD</li> </ul>
<b>DIFFUSERS</b>	<ul style="list-style-type: none"> <li>• HIGH EFFICIENCY ACRYLIC</li> </ul>
<b>MOUNTING</b>	<ul style="list-style-type: none"> <li>• CEILING</li> </ul>
<b>CONSTRUCTION</b>	<ul style="list-style-type: none"> <li>• ALUMINUM</li> </ul>
<b>FINISHES</b>	<ul style="list-style-type: none"> <li>• AVAILABLE SPECIALTY, AND IN SEVERAL TMS POWDER COATED FINISHES</li> <li>• CUSTOM RAL FINISHES AVAILABLE</li> </ul>
<b>DIMMING</b>	<ul style="list-style-type: none"> <li>• 0 - 10V STANDARD DIMMING (1%)</li> </ul>





PROJECT: \_\_\_\_\_

TYPE: \_\_\_\_\_

QUANTITY: \_\_\_\_\_

## 680FLC

1 2 3 4 5 6 7 8 9

1.	24D	48D	72D	96D	120D	144D
LENGTH	24"(61CM) DIRECT	48"(122CM) DIRECT	72"(183CM) DIRECT	96"(244CM) DIRECT	120"(305CM) DIRECT	144"(366CM) DIRECT
LED (W)	27W	52W	78W	104W	130W	156W
LENGTH	2799	5767	8653	11630	14258	17112

2.	30K	35K	40K
LED CCT	3000K	3500K	4000K

3.	120	277	UNI
VOLTAGE	120V	277V	120 - 227V

4.	S
CIRCUITS	SINGLE

5.	SW
DIFFUSER	SATIN

6.  FINISH	ADDITIONAL AND PREMIUM FINISHES AVAILABLE. SEE FINISHES CHART			F04	F05	F15	F16	F09	F31	F18
				MATTE WHITE	GLOSS WHITE	MATTE BLACK	GLOSS BLACK	PEWTER	SILVER METALLIC	SATIN ALUMINUM
	F06	F07	F08	F10	F11	F13	F14	F21	F22	F24
	CLAY BROWN	ZEUS BROWN	MIDNIGHT BLUE	FIRE RED	CITRUS ORANGE	FOREST GREEN	SUNSHINE YELLOW	ARCH. BRONZE	HARVEST GOLD	MELTED PLATINUM
	F25	F26	F28	F32	F33	F38	F39	F40	F41	F45
MELTED GOLD	MELTED COPPER	DARK CAMPAGNE	BRONZE METALLIC	PYRITE BRONZE	MEADOW GREEN	AQUA BLUE	BUBBLE PINK	ELECTRIC PURPLE	COPPER METALLIC	

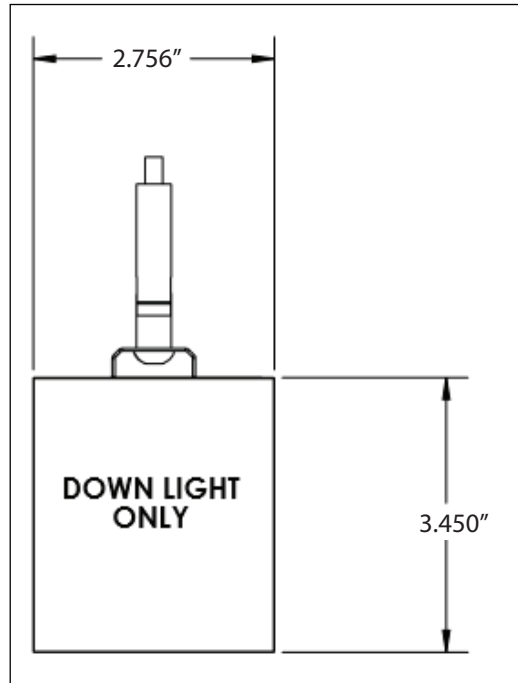
7.	---	EMR
EMERGENCY <sup>1</sup>	NONE	REMOTE

8.	---	DOS	DS	OS
SENSORS	NONE	DAYLIGHT/OCCUPANCY	DAYLIGHT	OCCUPANCY

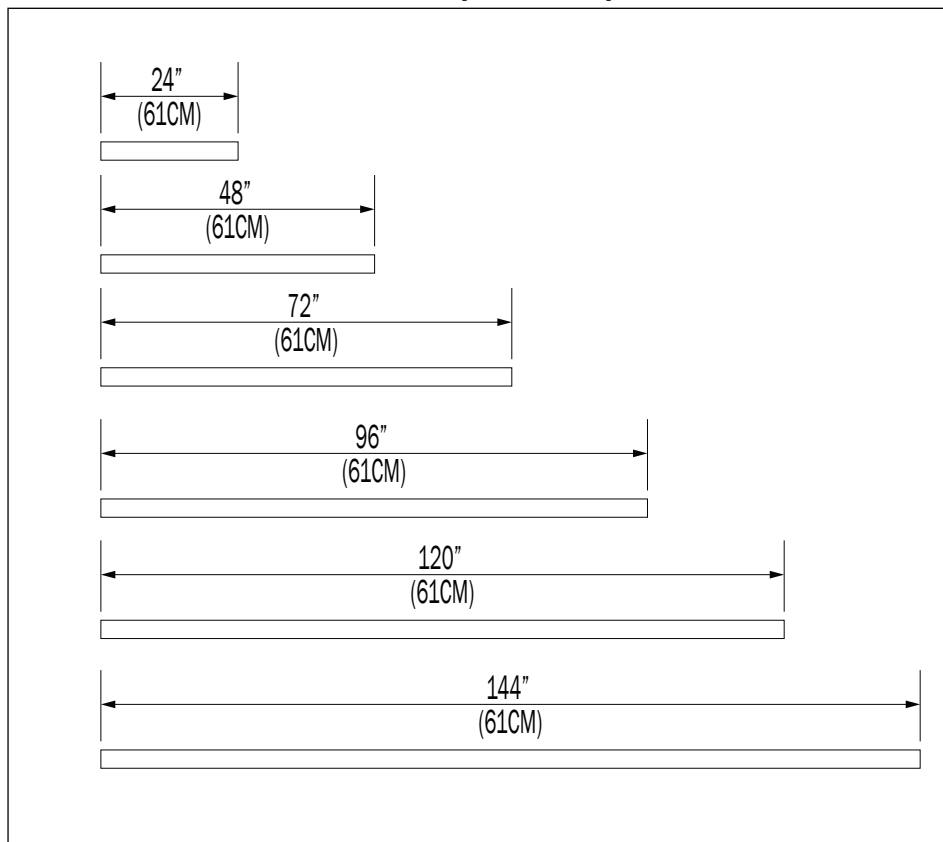
9.	DIML
DIMMING	LED DIMMING (0 - 10V, CURRENT - SINKING)

1. 10W AT 90 MINUTES. EMERGENCY (EMR) OPTION ILLUMINATES MAX OF 4 FT.

**680FLC**



**SIZES (LENGTH)**



**CUSTOM**

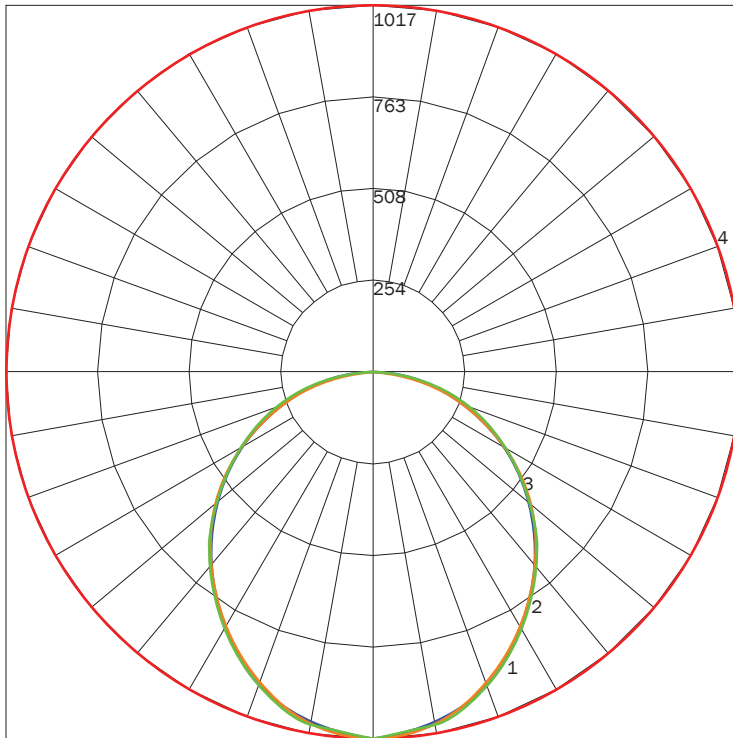
NOTE: THIS FIXTURE CAN BE CUSTOMIZE. DIMENSION, LAMP TYPES, ENCLOSURE, AND COLOR CAN BE MODIFIED TO SUIT YOUR LIGHTING AND ARCHITECTURAL REQUIREMENTS. CONTACT YOUR LOCAL REPRESENTATIVE FOR MORE DETAILS: <https://tmslighting.com/sales-agents.html>

## DIRECT

PN	SIZE (LENGTH)	LUMENS	WATTAGE
680FLC	24D	2799	27
	48D	5767	52
	72D	8653	78
	96D	11630	104
	120D	14258	130
	144D	17112	156

**IES INDOOR REPORT**  
**PHOTOMETRIC FILENAME :** 680FLC D24 35K F05.IES

### POLAR GRAPH

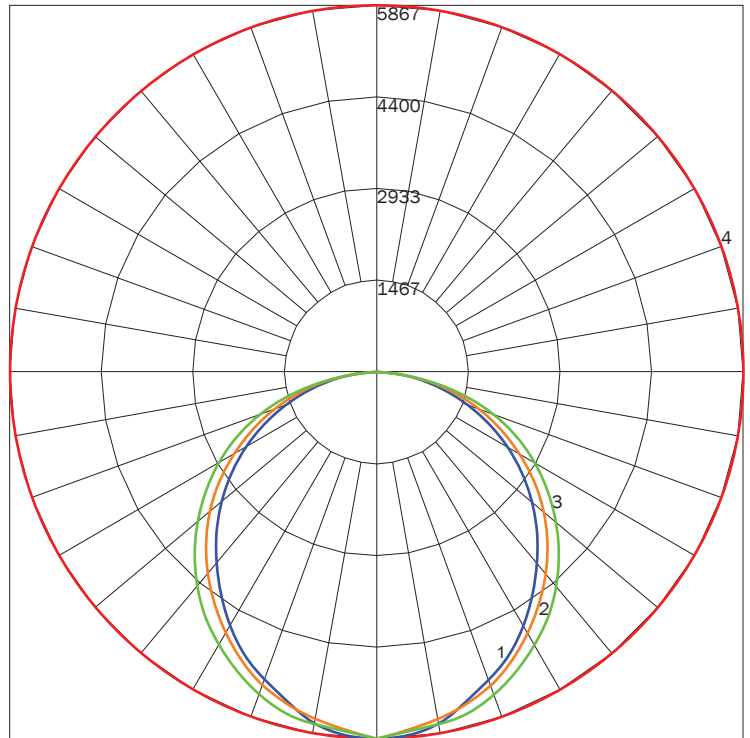


MAXIMUM CANDELA = 1016.78 LOCATED AT HORIZONTAL ANGLE = 0, VERTICAL ANGLE = 0  
 # 1 - VERTICAL PLANE THROUGH HORIZONTAL ANGLES (0 - 180) (THROUGH MAX. CD.)  
 # 2 - VERTICAL PLANE THROUGH HORIZONTAL ANGLES (45 - 225)  
 # 3 - VERTICAL PLANE THROUGH HORIZONTAL ANGLES (90 - 270)  
 # 4 - HORIZONTAL CONE THROUGH VERTICAL ANGLE (0) (THROUGH MAX. CD.)

**LUMINAIRE LUMENS** 2799  
**TOTAL LUMINAIRE EFFICIENCY** 81%  
**LUMINAIRE EFFICACY RATING** 105  
**TOTAL LUMINAIRE WATTS** 27

**IES INDOOR REPORT**  
**PHOTOMETRIC FILENAME :** 680FLC D144 35K F05.IES

### POLAR GRAPH



MAXIMUM CANDELA = 5866.58 LOCATED AT HORIZONTAL ANGLE = 0, VERTICAL ANGLE = 0  
 # 1 - VERTICAL PLANE THROUGH HORIZONTAL ANGLES (0 - 180) (THROUGH MAX. CD.)  
 # 2 - VERTICAL PLANE THROUGH HORIZONTAL ANGLES (45 - 225)  
 # 3 - VERTICAL PLANE THROUGH HORIZONTAL ANGLES (90 - 270)  
 # 4 - HORIZONTAL CONE THROUGH VERTICAL ANGLE (0) (THROUGH MAX. CD.)

**LUMINAIRE LUMENS** 17112  
**TOTAL LUMINAIRE EFFICIENCY** 83%  
**LUMINAIRE EFFICACY RATING** 110  
**TOTAL LUMINAIRE WATTS** 156

## FINISHES



## PREMIUM FINISHES



## PREMIUM MATERIALS



1: FINISHES IS APPLIED TO THE INTERIOR AND EXTERIOR OF THE FIXTURE.  
 2: MATERIALS ARE CONSISTENT (INTERIOR & EXTERIOR). STEMS AND CANOPIES WILL BE F16 GLOSS BLACK.  
 NOTE: ALL FINISHES NOT MARKED WITH NOTATION (1) ARE APPLIED TO THE EXTERIOR ONLY. THE INTERIOR WILL BE F05 GLOSS WHITE.  
 MATTE FINISHES AVAILABLE. CONSULT FACTORY.  
 FINISHES ARE SUBJECT TO AVAILABILITY AND MAY NOT BE APPLICABLE TO ALL FIXTURES OR FOR QUICKSHIP.  
 DISPLAYED FINISHES DIFFER BETWEEN SCREENS AS WELL AS PRINTERS AND MAY NOT ACCURATELY DEPICT COLOR.